



**ANALOG
PRODUCTS**

**MC33388
FACT SHEET**

APPLICATIONS

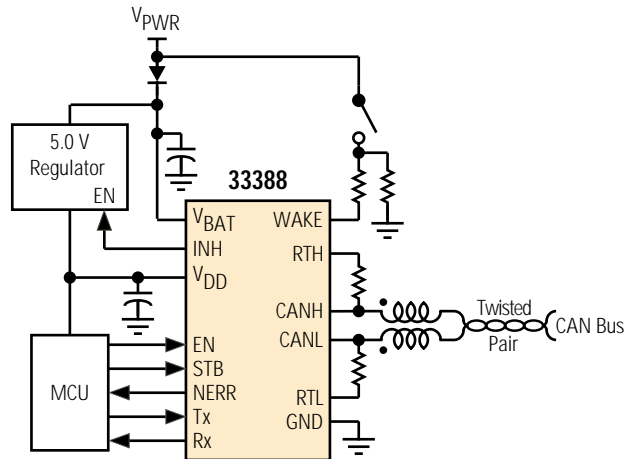
- Automotive Systems
- Farm Equipment
- Industrial Systems
- Marine and Aircraft Networks

33388 FAULT TOLERANT CAN INTERFACE

The 33388 is a low-speed, fault tolerant CAN physical interface device dedicated to electronic multiplexing applications. The CAN physical layer is compatible with CAN 2.0 A and B protocols. It operates in a differential mode, tolerating ground shifts up to 1.5 V in addition to having enhanced robustness against RFI disturbances. It consumes very little current in sleep and standby operational modes and supports communication speeds up to 125 kB/s.

The 33388 is fully protected for harsh automotive environment applications. The bus output driver is able to detect fault conditions and automatically switch to an appropriate default mode of operation. Under a fault condition, the bus is continuously monitored to determine when faults disappear and normal bus operation can be resumed.

Simplified Application Diagram



CUSTOMER BENEFITS

- Economical system solution requiring few external components
- Simple system with direct interfacing to a micro-processor
- Reduced PC board space resulting in enhanced application reliability
- Internal safety features with output status reporting

Performance

- Bus Output
- Data Rate
- Operating Voltage
- Sleep/Stdby Current
- ESD
- Operating Temp


Typical Values

- CAN
- 10 kB/s – 125 kB/s
- 6.0 – 27 V
- 15 μ A
- ± 3000 V
- $-40^{\circ}\text{C} \leq T_A \leq 125^{\circ}\text{C}$

FEATURES

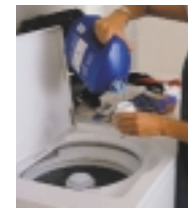
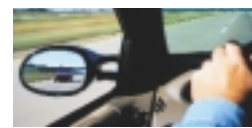
- Automatic switching to single wire mode in the event of bus failures with return to differential mode if bus failures disappear
- Supports one-wire transmission modes with ground offsets up to 1.5 V
- Internal bus driver slope control function to minimize RFI
- Bus line protected against automotive transients
- Supports unshielded twisted pair bus
- An unpowered node does not disturb the bus lines
- Wake-up capability triggered from bus message and wake-up input pin
- Wake-up pin with dual edge sensitivity
- Battery fail flag reported on NERR output
- Additional devices available for comparison in Analog Selector Guide SG1002/D

Protection	Detect	Limiting	Shut Down	Auto Retry	Status Reporting
Under Voltage	•				•
Over Temperature	•		•		
Bus Fail Detection:					
CANH wire interruption	•			•	•
CANL wire interruption	•			•	•
CANH short-to-battery	•	•		•	•
CANL short-to-battery	•	•		•	•
CANH short-to-ground	•	•		•	•
CANL short-to-ground	•	•		•	•
CANH/L shorted together	•	•		•	•
CANH short-to-V _{DD}	•			•	•

Ordering Information	Package	Ship Method	Motorola Part Number
	14 SOICN	Rail T/R	**33388D **33388DR2
Data Sheet Order Number			MC33388/D
Contact Sales for Evaluation Kit Availability			
**Prefix Index: PC = Eng Samples; XC = In Qual; MC = Production			

QUESTIONS

- Do you need a robust half-duplex bi-directional communication between two modules?
- What type of module communication protocol are you using?
- What is the maximum communication speed you require?



How to reach us:

USA/EUROPE/Locations Not Listed: Motorola Literature Distribution;
P.O. Box 5405, Denver, Colorado 80217
1-303-675-2140 or 1-800-441-2447

JAPAN: Motorola Japan Ltd.; SPS, Technical Information Center,
3-20-1, Minami-Azabu, Minato-ku, Tokyo 106-8573 Japan
81-3-3440-3569

ASIA/PACIFIC: Motorola Semiconductors H.K. Ltd.; Silicon Harbour Centre,
2 Dai King Street, Tai Po Industrial Estate, Tai Po, N.T., Hong Kong
852-26668334

Technical Information Center: 1-800-521-6274

HOME PAGE: <http://www.motorola.com/semiconductors>



MOTOROLA and the Stylized M Logo are registered in the U.S. Patent & Trademark Office. All other product or service names are the property of their respective owners.
© Motorola, Inc. 2002

MC33388FS/D
Rev. 1

SUNSTAR 商斯达实业集团是集研发、生产、工程、销售、代理经销、技术咨询、信息服务等为一体的高科技企业，是专业高科技电子产品生产厂家，是具有 10 多年历史的专业电子元器件供应商，是中国最早和最大的仓储式连锁规模经营大型综合电子零部件代理分销商之一，是一家专业代理和分销世界各大品牌 IC 芯片和电子元器件的连锁经营综合性国际公司，专业经营进口、国产名厂名牌电子元件，型号、种类齐全。在香港、北京、深圳、上海、西安、成都等全国主要电子市场设有直属分公司和产品展示展销窗口门市部专卖店及代理分销商，已在全国范围内建成强大统一的供货和代理分销网络。我们专业代理经销、开发生产电子元器件、集成电路、传感器、微波光电元器件、工控机/DOC/DOM 电子盘、专用电路、单片机开发、MCU/DSP/ARM/FPGA 软件硬件、二极管、三极管、模块等，是您可靠的一站式现货配套供应商、方案提供商、部件功能模块开发配套商。商斯达实业公司拥有庞大的资料库，有数位毕业于著名高校——有中国电子工业摇篮之称的西安电子科技大学（西军电）并长期从事国防尖端科技研究的高级工程师为您精挑细选、量身订做各种高科技电子元器件，并解决各种技术问题。

更多产品请看本公司产品专用销售网站：

商斯达中国传感器科技信息网：<http://www.sensor-ic.com/>

商斯达工控安防网：<http://www.pc-ps.net/>

商斯达电子元器件网：<http://www.sunstare.com/>

商斯达微波光电产品网：[HTTP://www.rfoe.net/](http://www.rfoe.net/)

商斯达消费电子产品网：<http://www.icasic.com/>

商斯达实业科技产品网：<http://www.sunstars.cn/>

传感器销售热线：

地址：深圳市福田区福华路福庆街鸿图大厦 1602 室

电话：0755-83370250 83376489 83376549 83607652 83370251 82500323

传真：0755-83376182 (0) 13902971329 MSN: SUNS8888@hotmail.com

邮编：518033 E-mail:szss20@163.com QQ: 195847376

深圳赛格展销部：深圳华强北路赛格电子市场 2583 号 电话：0755-83665529 25059422

技术支持：0755-83394033 13501568376

欢迎索取免费详细资料、设计指南和光盘；产品凡多，未能尽录，欢迎来电查询。

北京分公司：北京海淀区知春路 132 号中发电子大厦 3097 号

TEL: 010-81159046 82615020 13501189838 FAX: 010-62543996

上海分公司：上海市北京东路 668 号上海赛格电子市场 2B35 号

TEL: 021-28311762 56703037 13701955389 FAX: 021-56703037

西安分公司：西安高新开发区 20 所(中国电子科技集团导航技术研究所)

西安劳动南路 88 号电子商城二楼 D23 号

TEL: 029-81022619 13072977981 FAX:029-88789382